



## CONVENIENT

7" touch screen LCD for parameter browsing and setting



## RELIABLE

IP54 protection for outdoor installation



## GLOBAL STANDARD

OCPP v1.6 open charge point protocol. IEC 62196 type II connector



## SAFE STRUCTURE

DC gun hidden design



## CAPABLE

Dual CCS plug, more efficient charging



## FLEXIBLE

QR code and RFID payment supported

## MECHANICAL

Dimension (W/H/D)

1200/2045/800mm

Weight

800KG

## CERTIFICATION

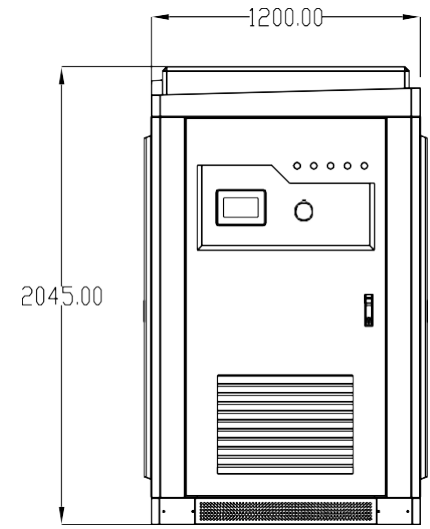
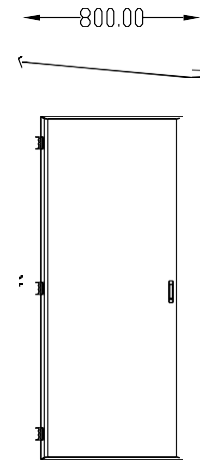
Certificate

CE



## INPUT & OUTPUT

Input voltage	AC415V
Frequency	50HZ±1
DC plug type	CCS,
Output voltage range	200-850V DC
Output current	Single connector MAX:220A/per phase
Voltage accuracy	≤±1%
Current accuracy	≥30A ≤ ± 1% ; < 30A: ≤ ±0.3A
Voltage-regulating accuracy	≤±1%
Current-regulating accuracy	≤±1%
Ripple coefficient	RMS: ≤ ±0.5; Peak: ≤±1
Metering accuracy	0.5%
Efficiency	≥94%
Connection	DC Plug *2



## PROTECTION

Over voltage protection	Yes
Under voltage protection	Yes
Overload protection	Yes
Leakage current protection	Yes
Overtemperature protection	Yes
Under temperature protection	Yes
Surge protection	Yes

## FUNCTION & ACCESSORY

Ethernet/WIFI/4G	Yes/Opt/Opt
Display	7 inch touch screen
Indicator	Yes
Payment support	RFID/QR(standard)
Emergency stop	Yes
Cable Length	5m

## WORKING ENVIRONMENT

Protection degree	IP54
Environment temperature	-20°C ~ +65°C
Relative humidity	0-95% non-condensing
Maximum altitude	<2000m
Cooling	Forced air cooling
Standby power	<30W
Noise emission	≤65db

